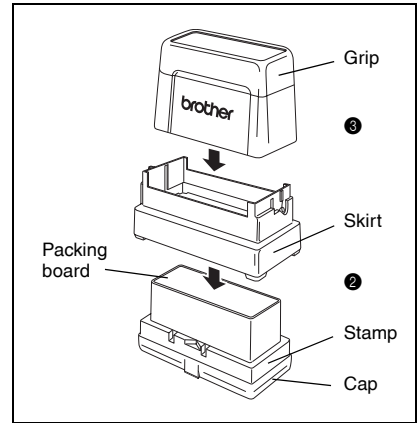


Assembling the Stamp

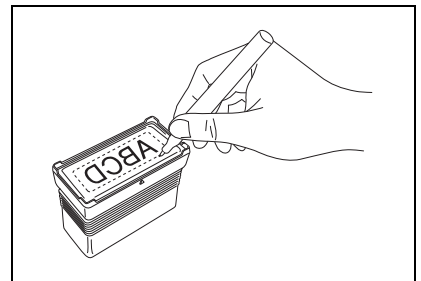
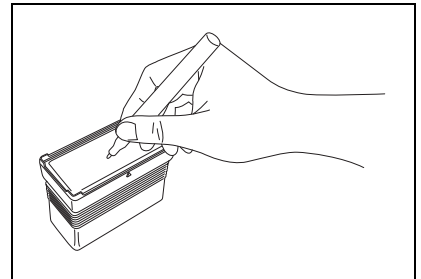
- 1 With the cap on the stamp, place it face down.
 - ☞ If the packing board has been removed, put it back into the stamp.
- 2 Place the skirt over the top of the stamp and push it down firmly.
- 3 Place the grip over the skirt and push it down firmly so that the fasteners hook onto the tabs and the ink bag inside the stamp breaks.
- 4 Keep the stamp facing down to speed up the flow of the ink.
 - ☞ The length of time that you must wait before the ink begins to flow from the stamp depends on many factors, such as the size of the engraved area and the room temperature. Keep the stamp covered when it is not being used.



Correcting the Engraved Stamp

Even after the stamp is engraved, it can be corrected using the stamp correction pen to seal any undesired area in the stamp so that ink will not flow through it.

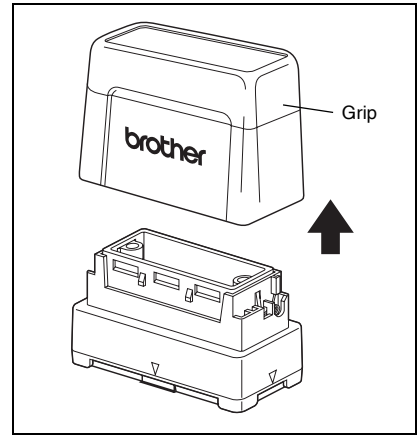
- 1 With the cap on, hold the enclosed stamp correction pen upright and shake it well.
- 2 Remove the cap and press the tip of the pen down onto a piece of scrap paper until ink appears.
- 3 Make a test stamp, and then use the pen to fill in any undesired areas in the surface of the engraved stamp.
 - ☞ Do not try stamping until the correction fluid is completely dry. Be sure to apply plenty of correction fluid to the areas that you wish to fill in. Keep the cap on the stamp correction pen when it is not being used.
 - ☞ You can also use the correction pen to make corrections if ink has run from the space between the glossy area and the non-glossy area around the printing surface.
 - ☞ When applying the correction fluid, place plenty of fluid on the area you want to correct like you are making a point with the tip of the pen, so the tip of the pen does not rub off the area you are correcting.



Refilling the Stamp Ink

If the stamp is faint or incomplete, use the ink bottle (sold separately) to refill the ink.

- 1 Remove the grip from the stamp.



- 2 Use the ink bottle to add five drops of ink to each refill hole in the stamp.

*Be extremely careful when adding ink.
Do not use ink other than that specified, otherwise the stamp may be damaged.
If too much ink is added, it may start leaking from the stamp's surface. In that case, make a test stamp on scrap paper to remove any excess ink.*

- 3 Put the grip back on the stamp.

*Immediately after refilling the ink, keep the stamp facing down until the ink begins to flow from the stamp.
After refilling the ink, be sure to put the cap back on the ink refill bottle.*

